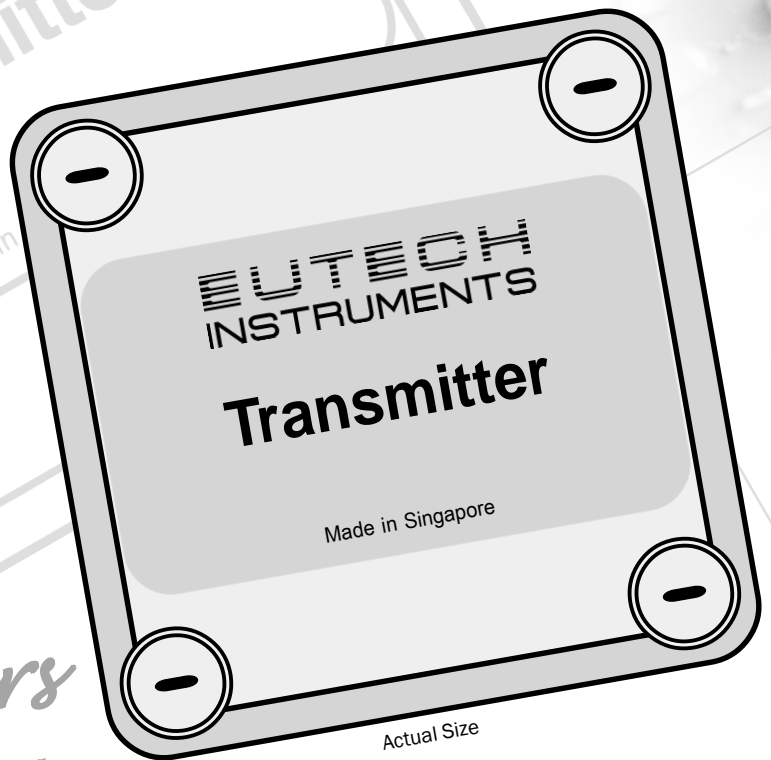


Transmitter

pH / ORP / Conductivity /
Dissolved Oxygen / Temperature



Industrial 2-wire Transmitters

Eutech Instruments' new 2-wire transmitters have 4-20 mA output, for on-line measurement of pH, ORP, Conductivity, Dissolved Oxygen and Temperature. Housed in weatherproof casings, these transmitters provide a simple solution to applications, where the measuring and monitoring points are remotely located. The D.C. power supply allows the transmitters to be operated even in hazardous environments.



- 2-wire System
- 4-20 mA Output
- 12V to 24V D.C. Supply
- Transient Suppressors
- Compact Design
- Weather Proof Housing

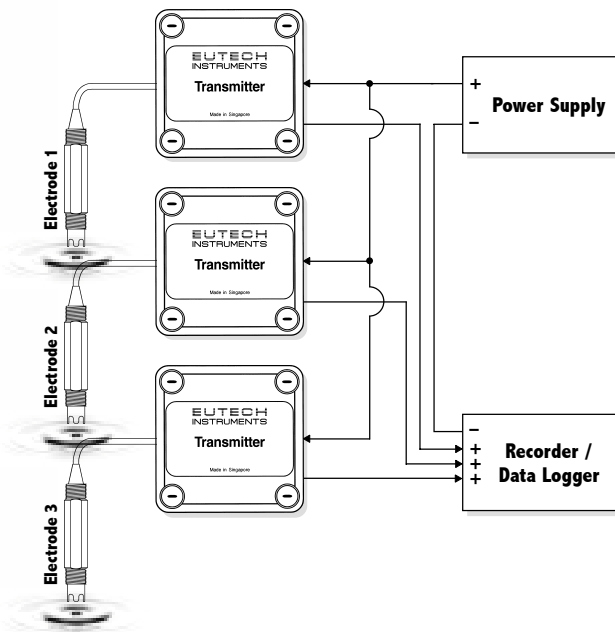
**EUTECH
INSTRUMENTS**
Technology Made Easy ...

Specifications: 2-wire Transmitters

Model	EC-PH-XTR 2-wire pH Transmitter	EC-ORP-XTR 2-wire ORP Transmitter	EC-CON-XTR 2-wire Conductivity Transmitter	EC-DO-XTR 2-wire Dissolved Oxygen Transmitter	EC-TEMP-XTR 2-wire Temperature Transmitter
Range	0.00 to 14.00 pH	0 to 1000 mV	0.00 to 20.00 mS	0 to 200 %	0 to 100 °C
Accuracy	±0.05	±3 mV	±2 % Full Scale	±1.5 % Full Scale	±0.5 °C
Calibration	2 pts (Offset ±1 pH ; Slope 80 to 120%)	2 pts (Offset ±50 mV ; Slope 80 to 120%)	2 pts (0 Adjustment ; Slope 80 to 120%)	2 pts (0% & 100% Air Saturation)	1 pt
Input	Asymmetrical (2-wire) or Symmetrical (3-wire) with Potential Matching Pin		3-wire with Thermistor	Only with Galvanic D.O. Probe	2-wire Pt 100
Output	4 - 20 mA				
Operating Voltage	DC 12V to 24V				
Load	100 Ohms Max for 12V and 600 Ohms Max for 24V Operation				
Housing/Weight	77 x 77 x 28 mm ; Field Mountable ; 110g				

INSTALLATION

Operating on a 12V to 24V D.C. power supply, transmitters can be installed in a loop, with each transmitter isolated from the other. There is no disruption in operations even if one of the transmitters requires servicing. Internal LED light for convenient power-supply indication.



WIRING CONNECTIONS

Two-wire design ensures clear signal transmission in noisy environments. pH and ORP transmitters offer symmetrical mode of operation with a suitable Potential Matching Pin (PMP) specially for electrically noisy environments. Additional protection against power surges is provided via transient suppressers.

4/20 mA OUTPUT

Transmitter output is fixed at 4-20 mA, spanning the full range of the respective transmitters.

WARRANTY

All the transmitters are warranted against manufacturing defects for a period of 12 months. Refer to warranty card supplied with meter for more details.

Note: We reserve the right to make changes, improvements and modifications to products shown.

ORDERING INFORMATION

Order No.	Item
pH	
EC-PH-XTR	pH transmitter
EC-ARTSO-05B	Combination pH electrode, general purpose, integral 5-metre cable
EC-ARGTSO-05B	Combination pH electrode, w/PMP, integral 5-metre cable
Dissolved Oxygen	
EC-DO-XTR	Dissolved oxygen transmitter
EC-DOGEN	General purpose D.O. probe, 0.5 - 40 ppm, industrial, integral 5-metre cable
EC-DOTPII	Low oxygen for waste application, 0 - 10 ppm, industrial, integral 5-metre cable
ORP	
EC-ORP-XTR	ORP transmitter
EC-HTPTTSO-05B	Combination platinum ORP electrode, w/PMP, integral 5-metre cable
EC-HTAUTTSO-05B	Combination gold ORP electrode, w/PMP, integral 5-metre cable
Conductivity	
EC-CON-XTR	Conductivity transmitter
EC-CONSEN46	2-pin SS with thermistor, k=1.0, integral 3-metre cable
Temperature	
EC-TEMP-XTR	Temperature transmitter
EC-PT10001M	Pt 100 probe, SS 316, integral 1-metre cable
EC-PT10005M	Pt 100 probe, SS 316, integral 5-metre cable
Power Supply	
EC-120-XTR	AC/DC power adapter (120 VAC, 50/60 Hz)
EC-220-XTR	AC/DC power adapter (220 VAC, 50/60 Hz)

Calibrating solutions available.

Distributed By: